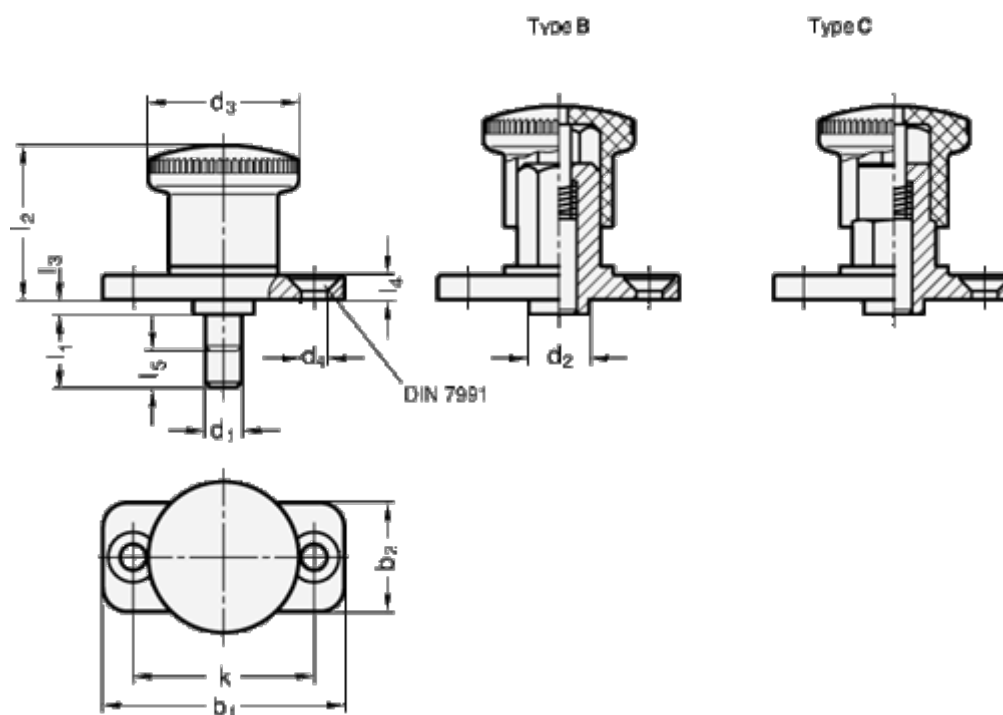


Article number: 208228512B

Description: E+G Mini indexing plunger
without rest position, GN 822.6-5-12-B

Measures



$b_1 = 40$	$l_2 = 26$
$b_2 = 18$	$l_3 = 2.5$
$d_1 = 5$	$l_4 = 4$
$d_2 = 10$	$l_5 = 6$
$d_3 = 25$	Spring load initial $N = 6$
$d_4 = 4.3$	
$k = 30$	
$l_1 = 34.0$	